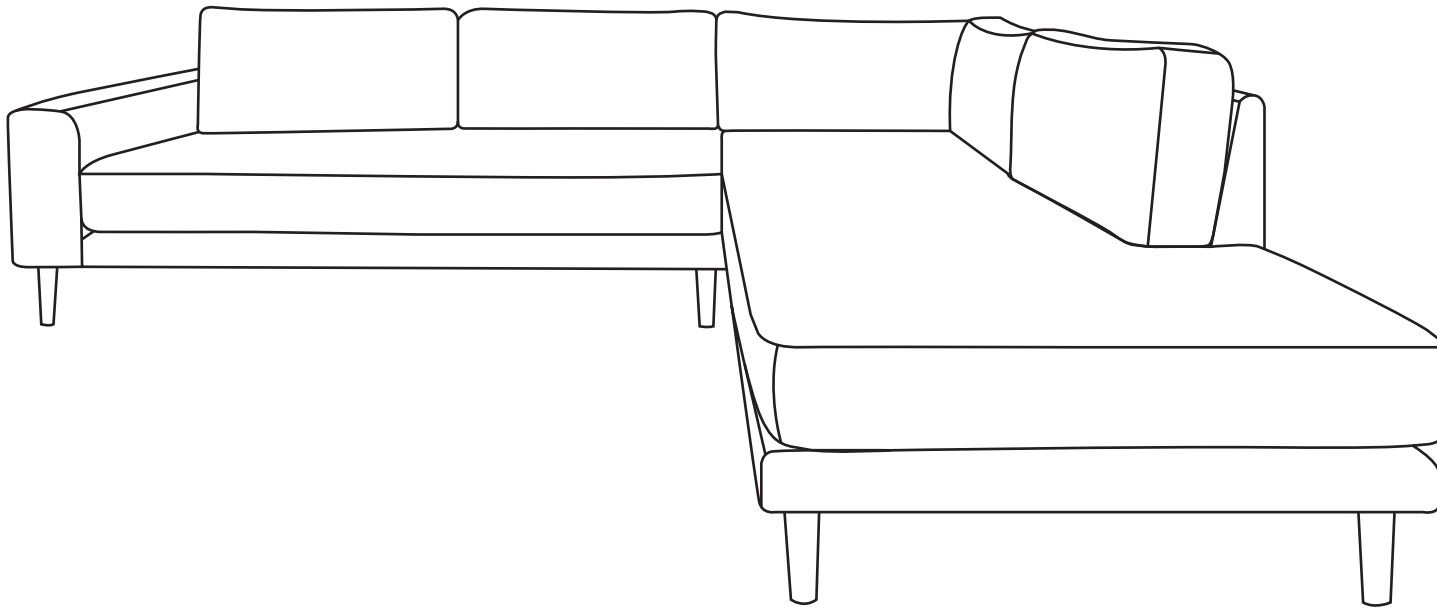


# ASSEMBLY INSTRUCTION

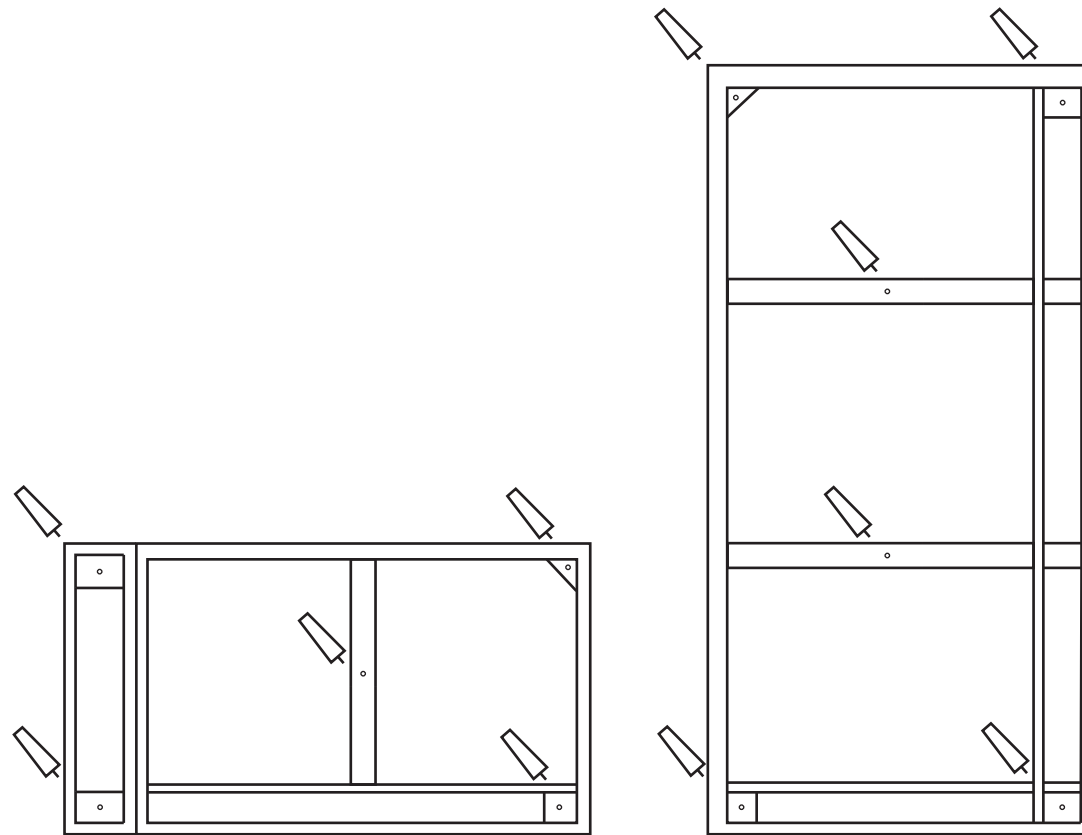
## LIDO CORNER SOFA



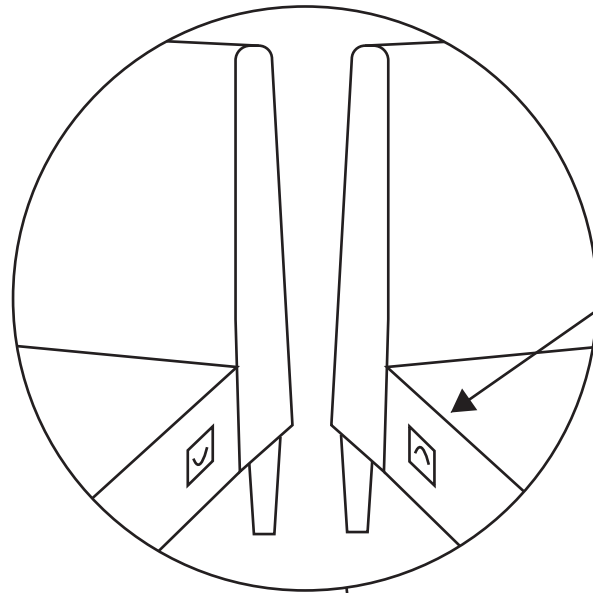


Legs x 11

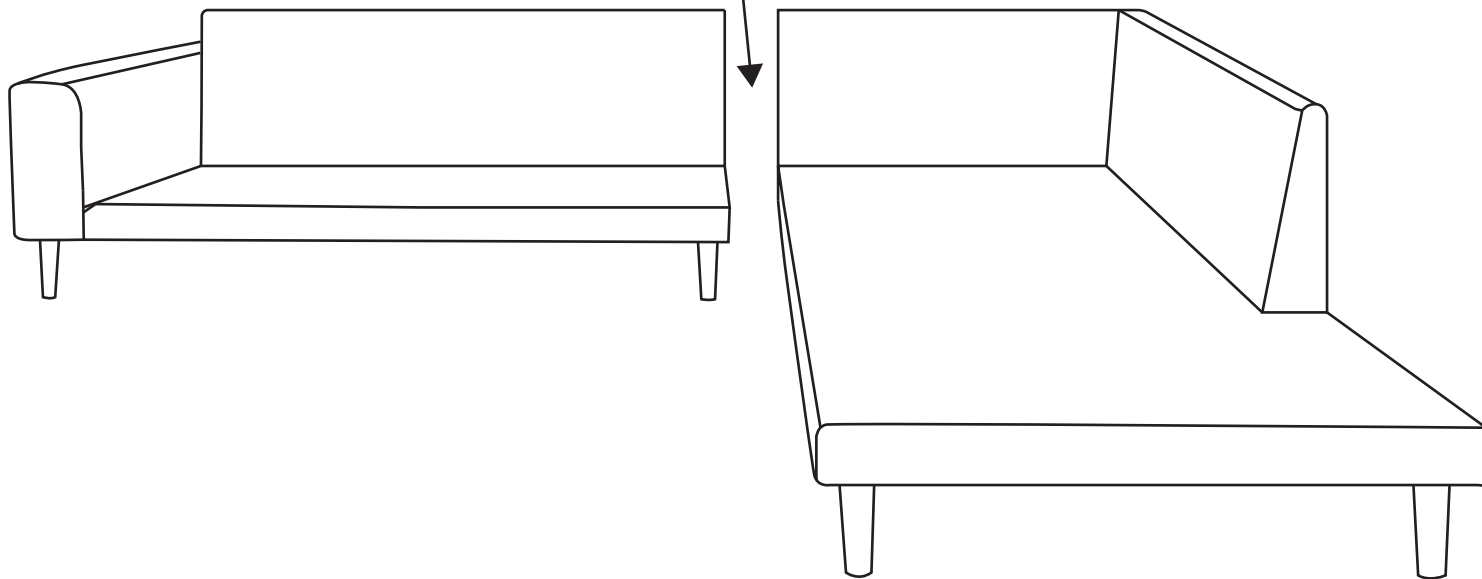
1 Screw the legs on to the sofa



2

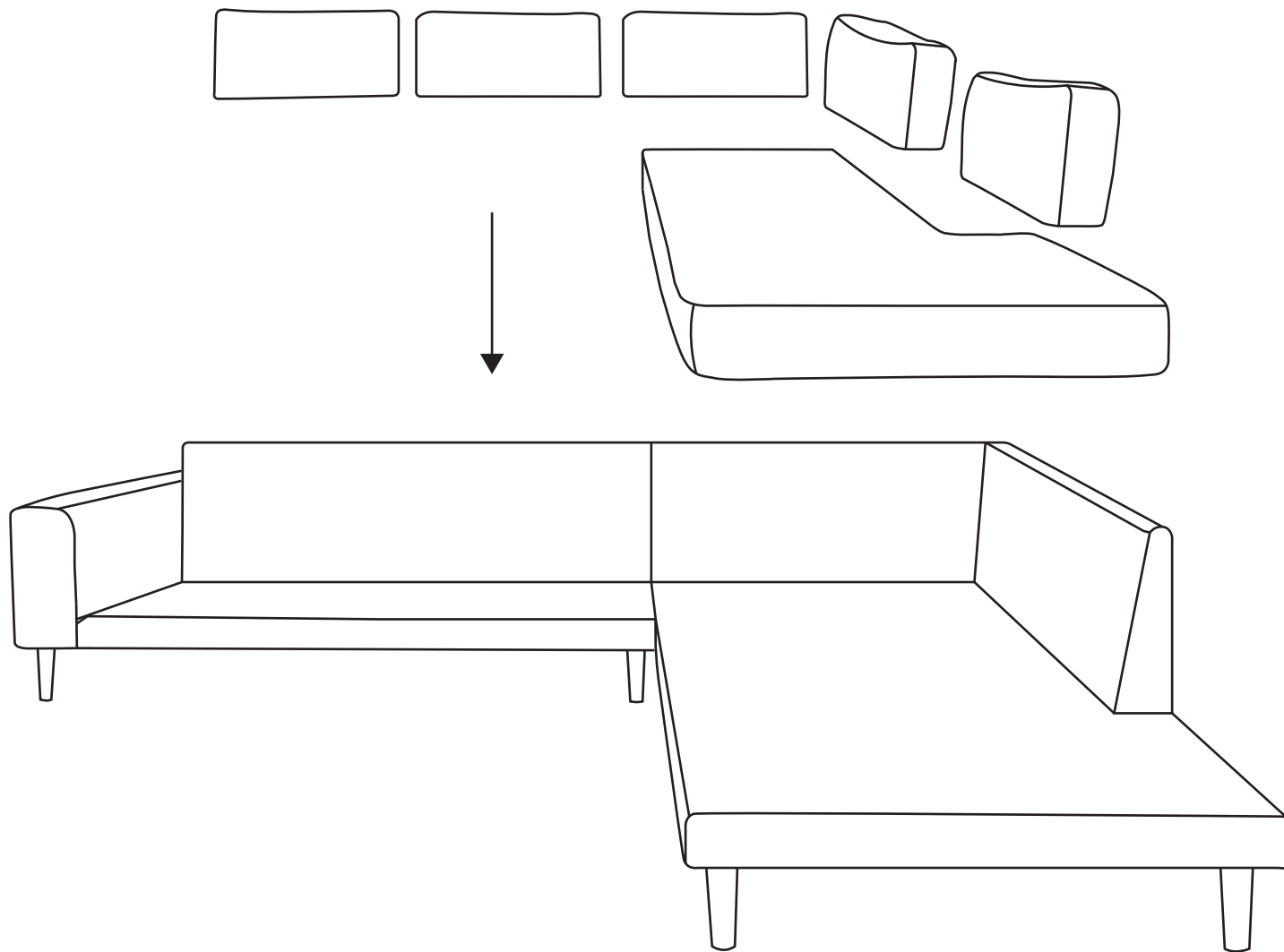


Lift and slide the metal grips into each other



3

Place the cushions in the sofa



4

